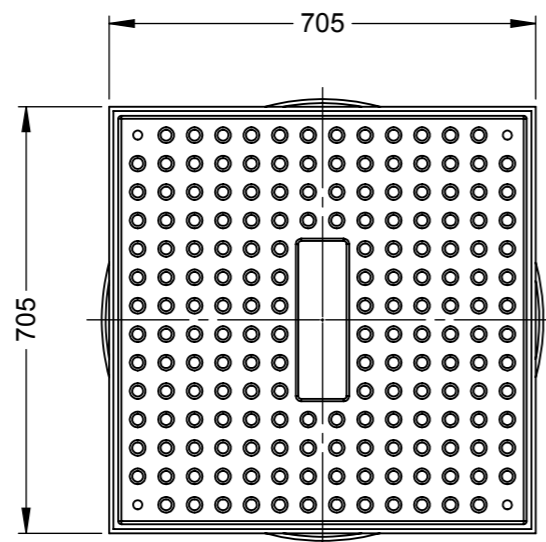


IF IN DOUBT - ASK

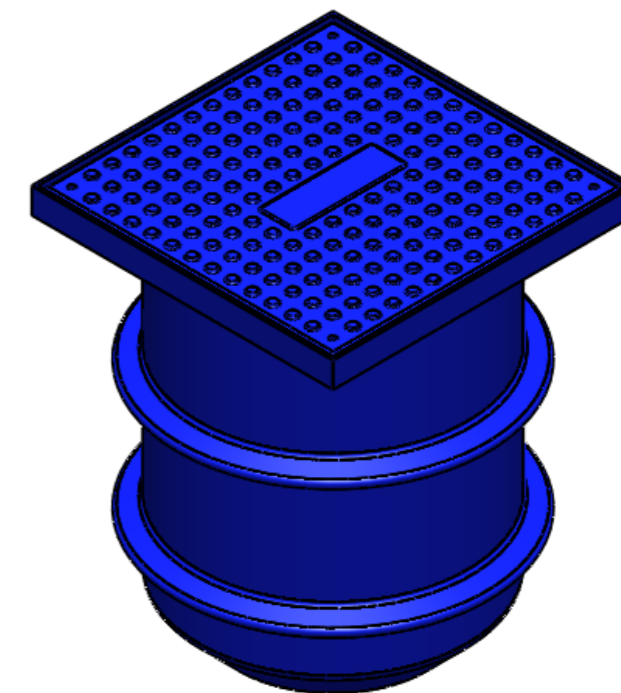
DO NOT SCALE

ALL DIMENSIONS ARE IN MILLIMETRES

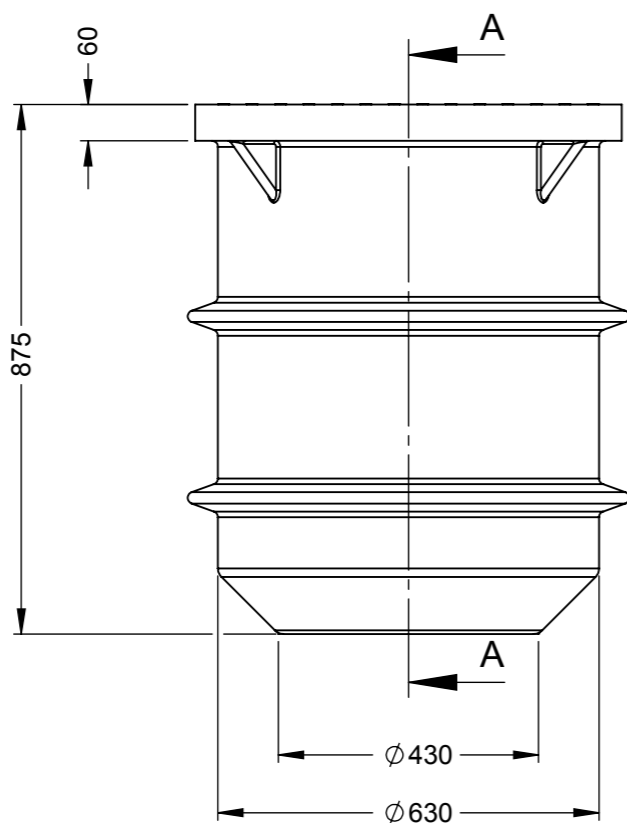
SHEET SIZE
A3



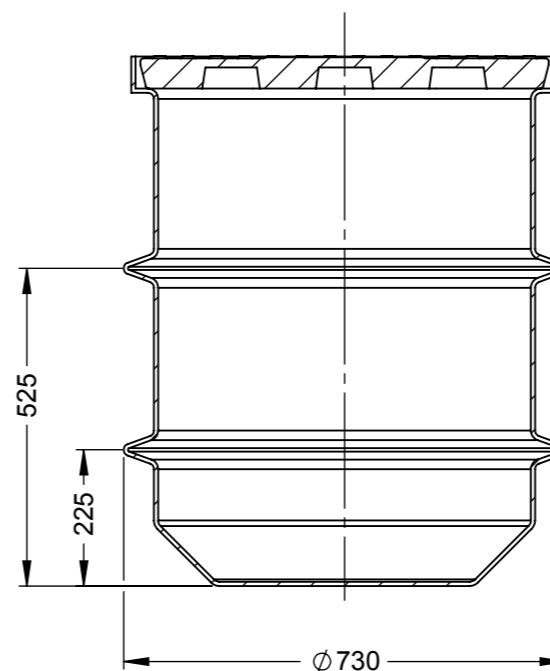
TOP VIEW



ISO VIEW



FRONT VIEW



SECTION A-A

DEPTH	875
OUTER DIAMETER	730
APPROXIMATE WEIGHT	25kg

DESCRIPTION	DEPTH	PART NO:
CLASS B GATIC INFILL COVER	55mm	TC5005
CLASS D GATIC INFILL COVER	100mm	TC5017
CLASS B HINGED GRATE	55mm	TC5054
PEDESTRIAN POLY LID	50mm	TC5097

RESTRICTED CONFIDENTIAL DOCUMENT
 THIS DRAWING AND ALL INFORMATION SHOWN HEREON ARE THE EXCLUSIVE PROPERTY OF ALINE PUMPS AND ARE SUBMITTED ONLY ON A CONFIDENTIAL BASIS. THE RECIPIENT AGREES NOT TO REPRODUCE THE DRAWING, TO RETURN IT UPON REQUEST, AND THAT NO DISCLOSURE OF THE DRAWING OR THE INFORMATION SHOWN HEREON WILL BE MADE TO A THIRD PARTY WITHOUT PRIOR WRITTEN CONSENT FROM ALINE PUMPS.

TITLE:	ALINE POLY TANK						
MODEL:	MINI SERIES						
PART NO:	TC5074						
THIRD ANGLE PROJECTION	SCALE 1:15	DRAWN SYN	DATE 13.07.17	SHEET No. 1 OF 1	ISSUE A1	CLIENT:	N/A

