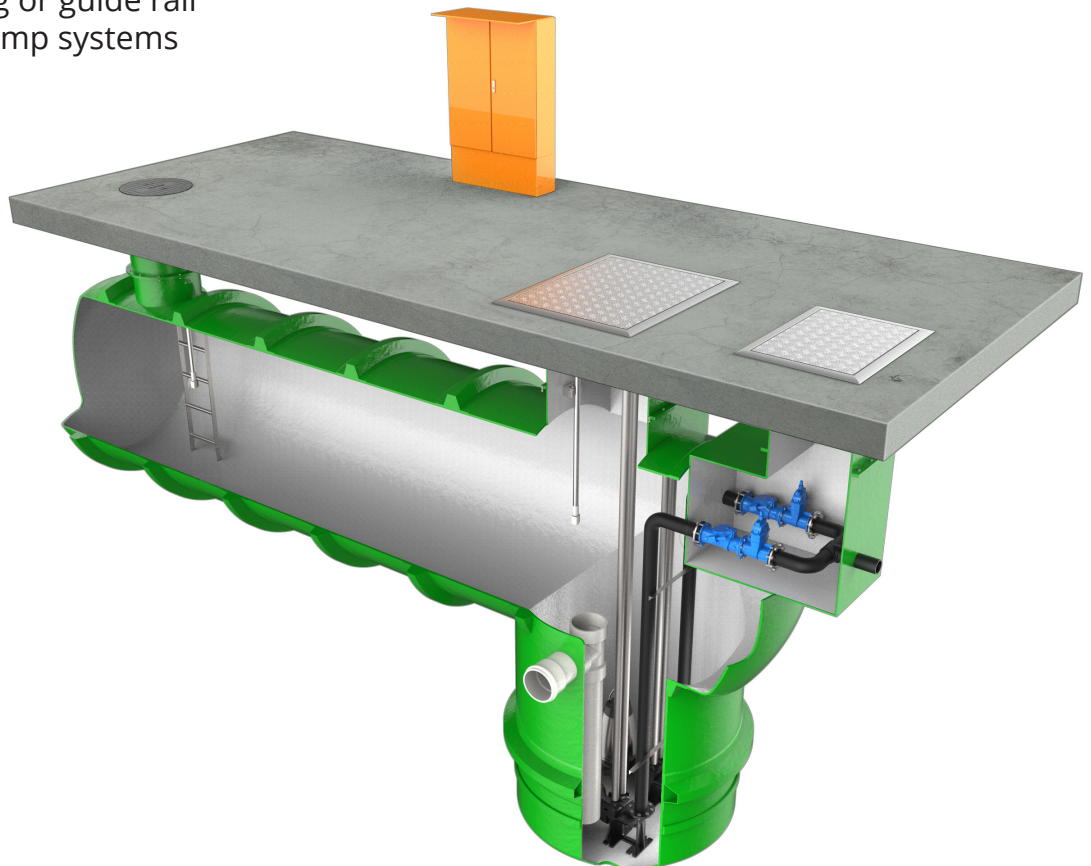
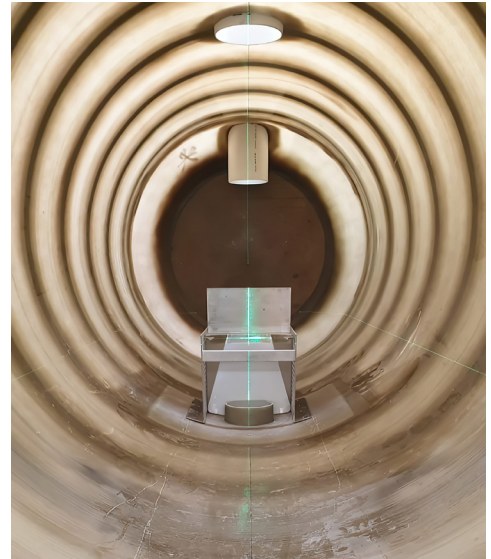


Configuration

Horizontal pump station with integrated dry valve chamber

Features & Benefits

- Large volume in a shallow excavation
- With or without the dry valve chamber
- Fully engineered one piece construction – no assembly on site
- Small footprint required – saves space
- Comparatively light weight – requires light crane
- Diameters up to 4,000mm (subject to delivery arrangements)
- Standard lengths to 5,000mm, greater on request (subject to delivery arrangements)
- Inlet can be installed by plumber
- All penetrations can be cast in as per customer specifications
- Single, dual or triplex pump configurations
- Free-standing or guide rail mounted pump systems



**Illustrative purposes only*