

6 5 4 3 2 1

D

D

C

C

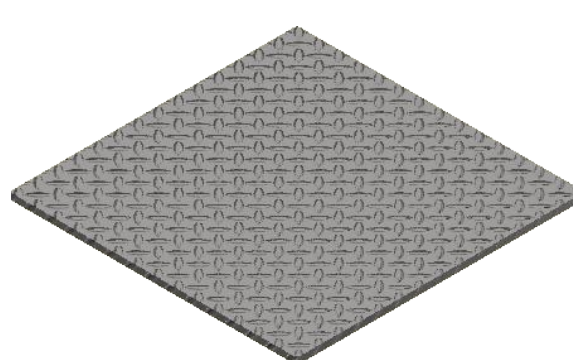
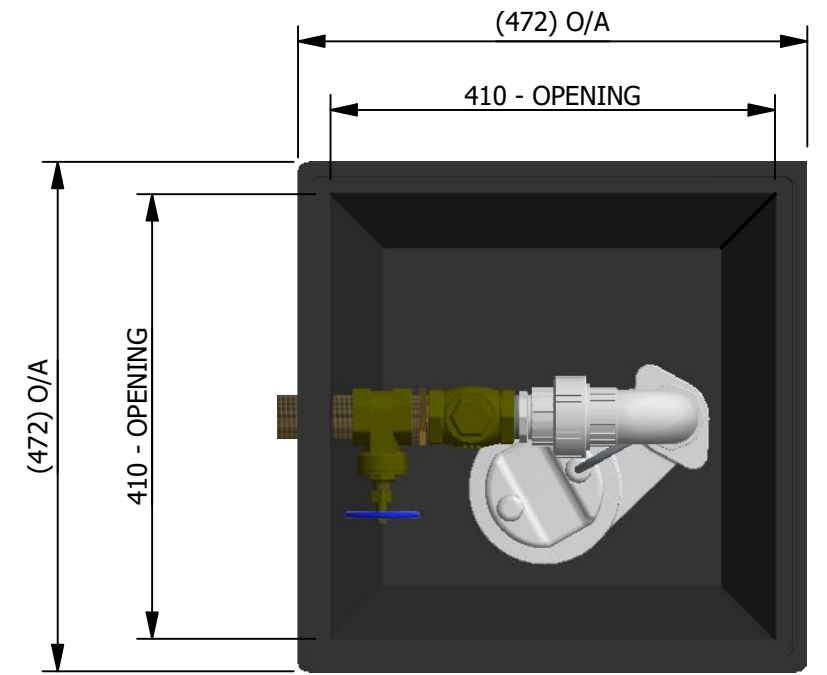
B

B

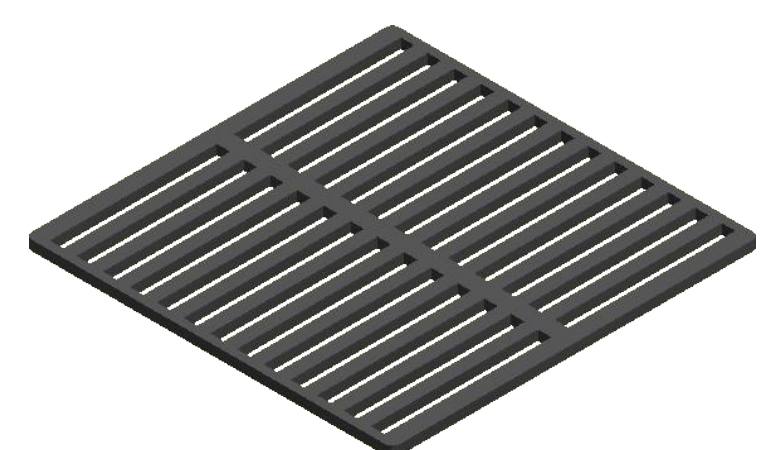
A

A

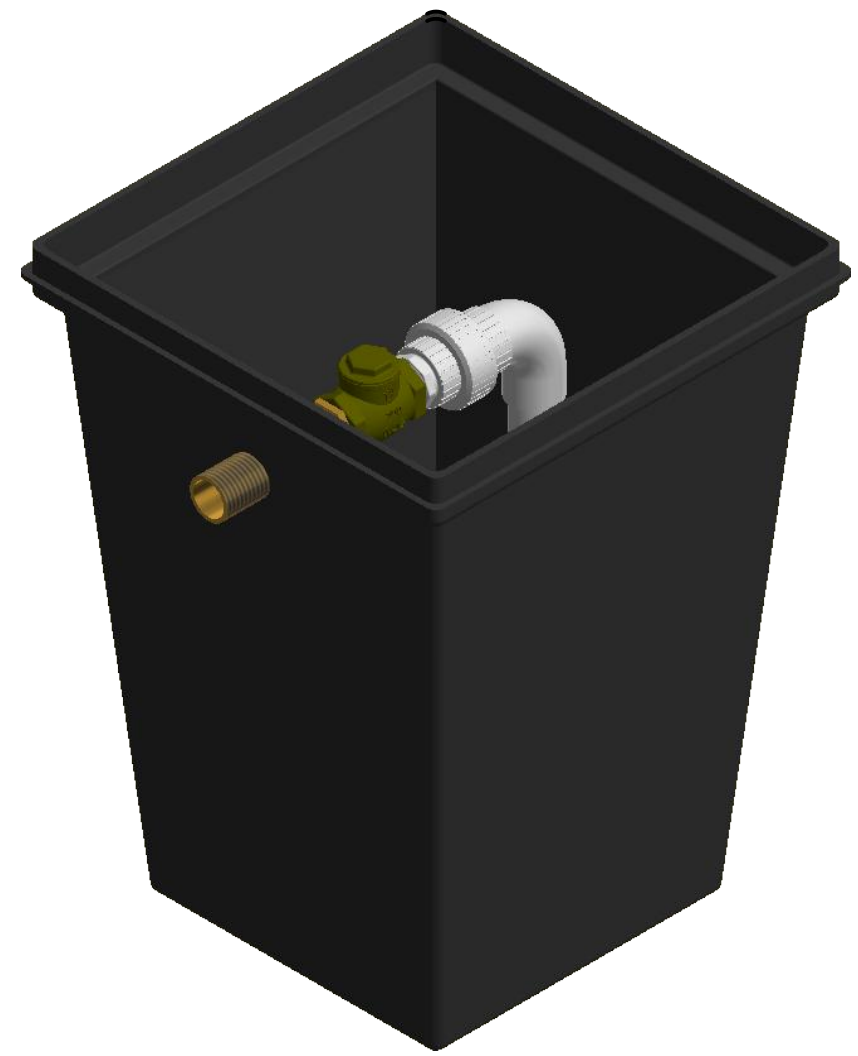
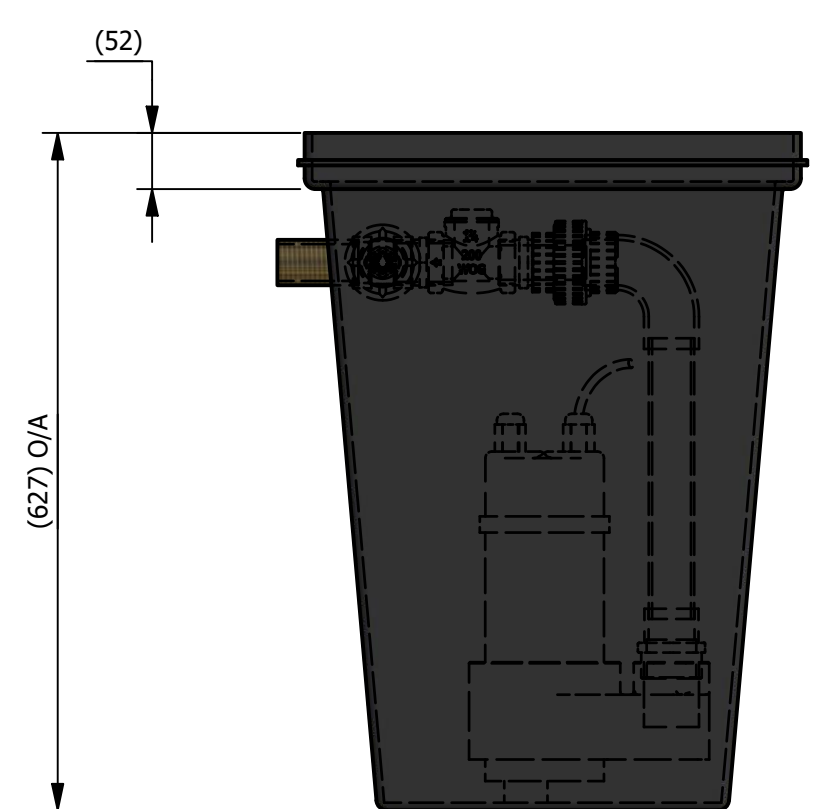
LID OPTIONS



CHECKER PLATE



GRATE



TOLERANCE: ALL DIMENSIONS +/- 5mm

CLIENT:

DISTRIBUTOR :

CONFIDENTIAL - The drawings must not be disclosed to any third parties without written permission from ALINE GROUP Sydney. Unauthorised disclosure may result in prosecution. ALINE GROUP- This drawing is the property of ALINE GROUP ABN: 19 538 072 753 and is subject to return on demand. It is submitted for the use only in connection with the proposal and contracts of ALINE GROUP with the expressed conditions that it is not to be reproduced or copied in any form. This data must only be used in accordance with our standard terms and conditions. © Copyright ALINE GROUP accepts no responsibility for any loss or damage resulting from any person acting on this information. The details and dimensions contained in this document may change, please check with ALINE for confirmation of current specifications.

|             |            |
|-------------|------------|
| Drawn       | Date       |
| Tai Nguyen  | 12/09/2019 |
| Check       | Date       |
| Verified    | Date       |
| Approved    | Date       |
| Request No. |            |



|                 |         |                       |       |
|-----------------|---------|-----------------------|-------|
| PROJECT :       |         |                       |       |
| TITLE           |         |                       |       |
| SCALE N.T.S     | SIZE A3 | SHEET 1               | REV B |
| CUSTOMER CODE : |         | DWG No. <b>T00191</b> |       |

6 5 4 3 2 1

D:\OneDrive - Aline Pump\SHAREPOINT - OPERATIONS\Drawings\Project\AGA\T00191\T00191revB.dwg