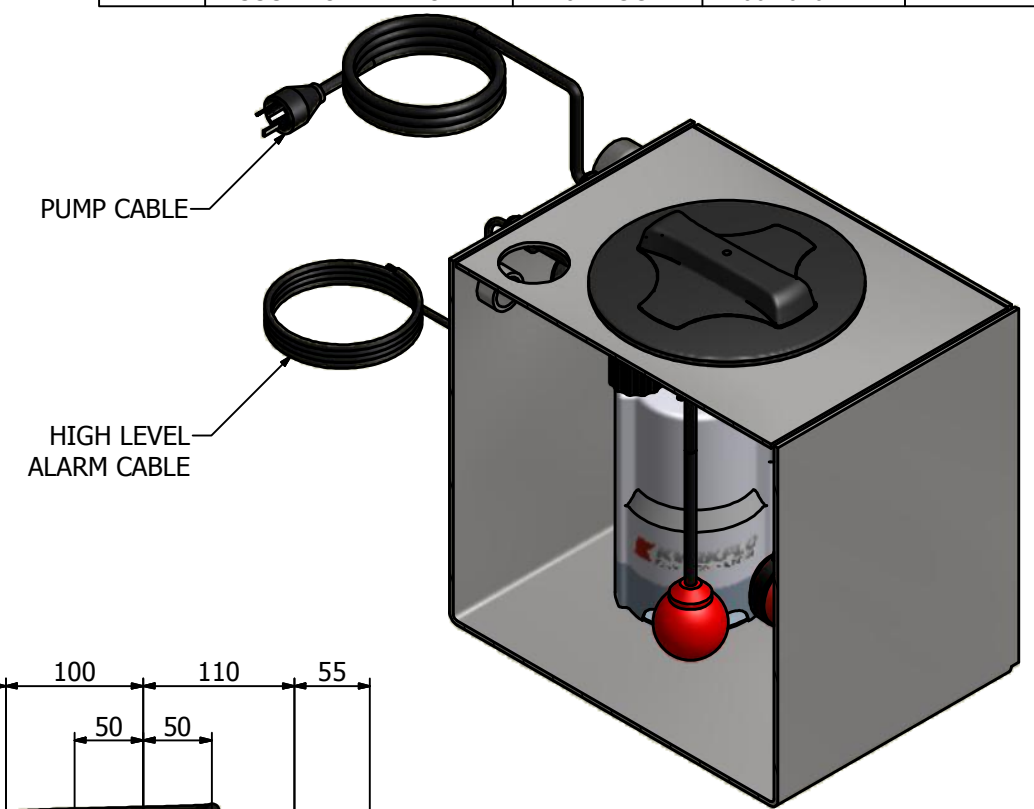
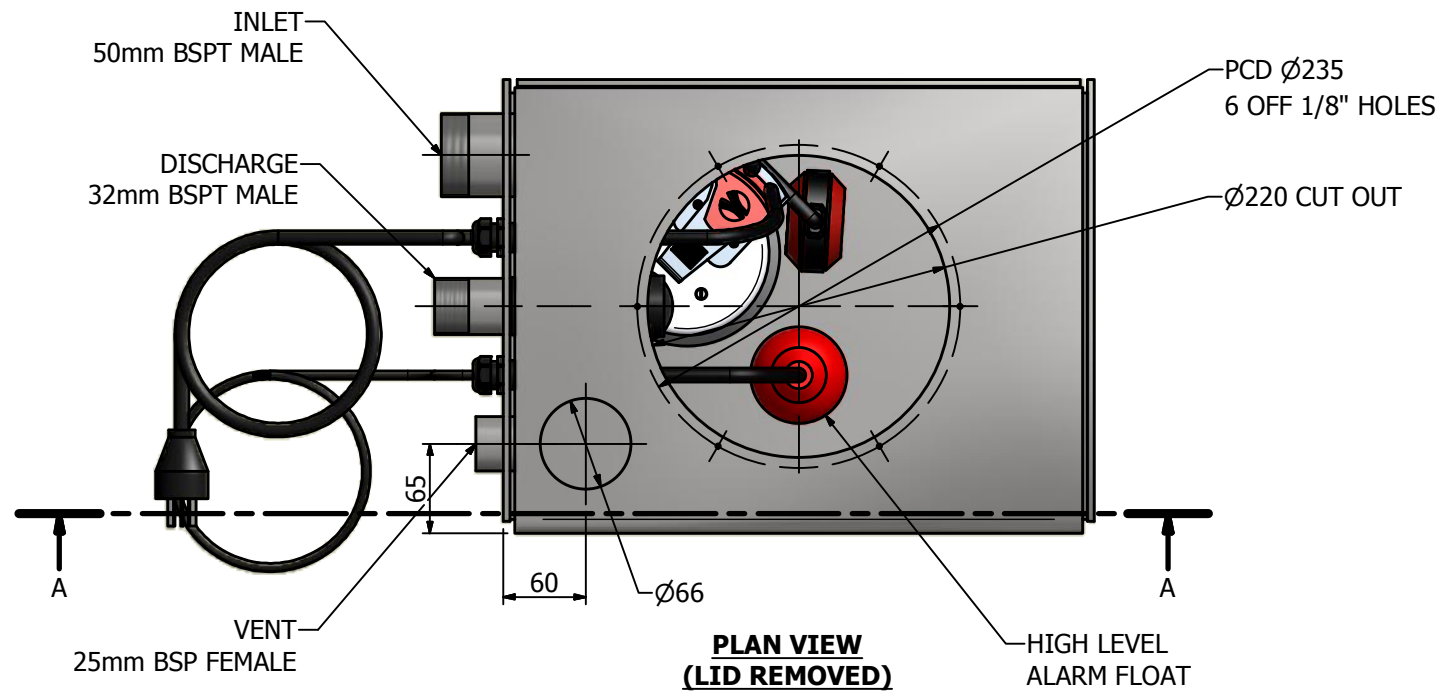
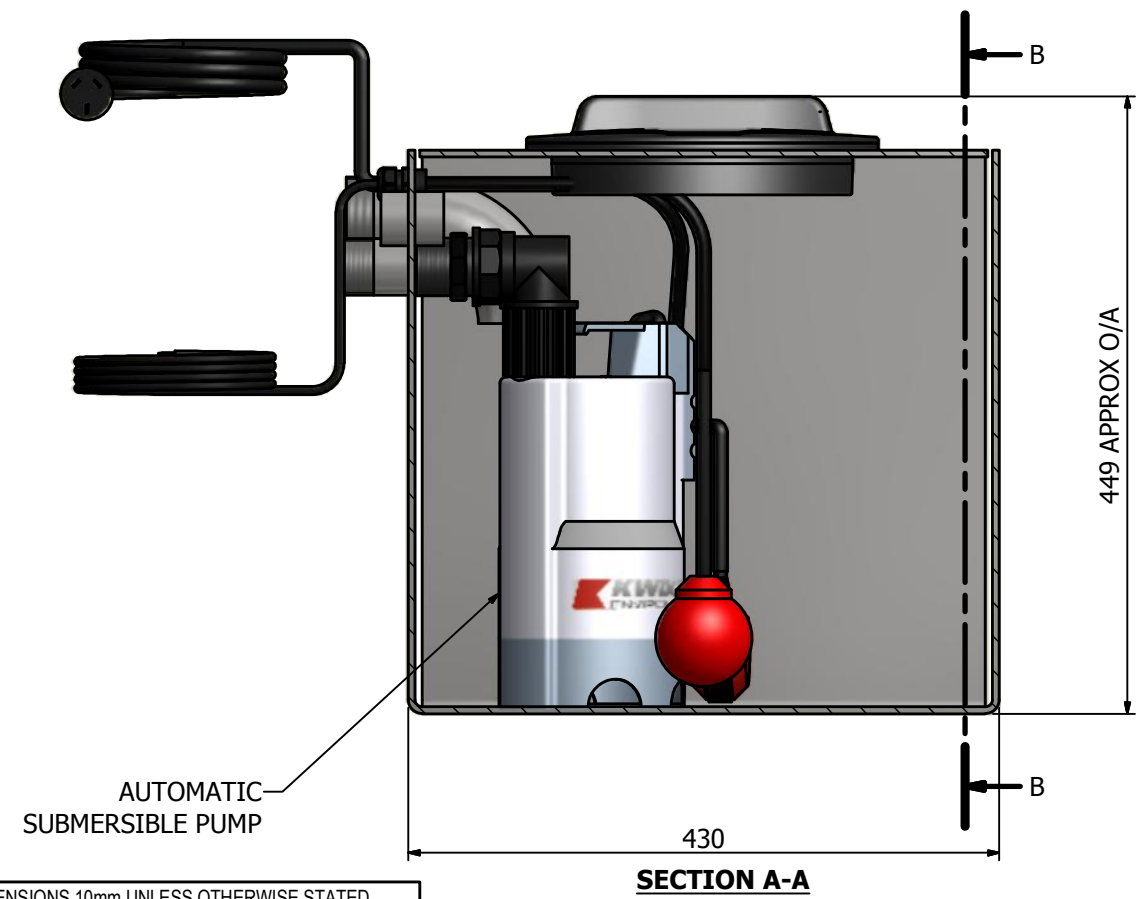


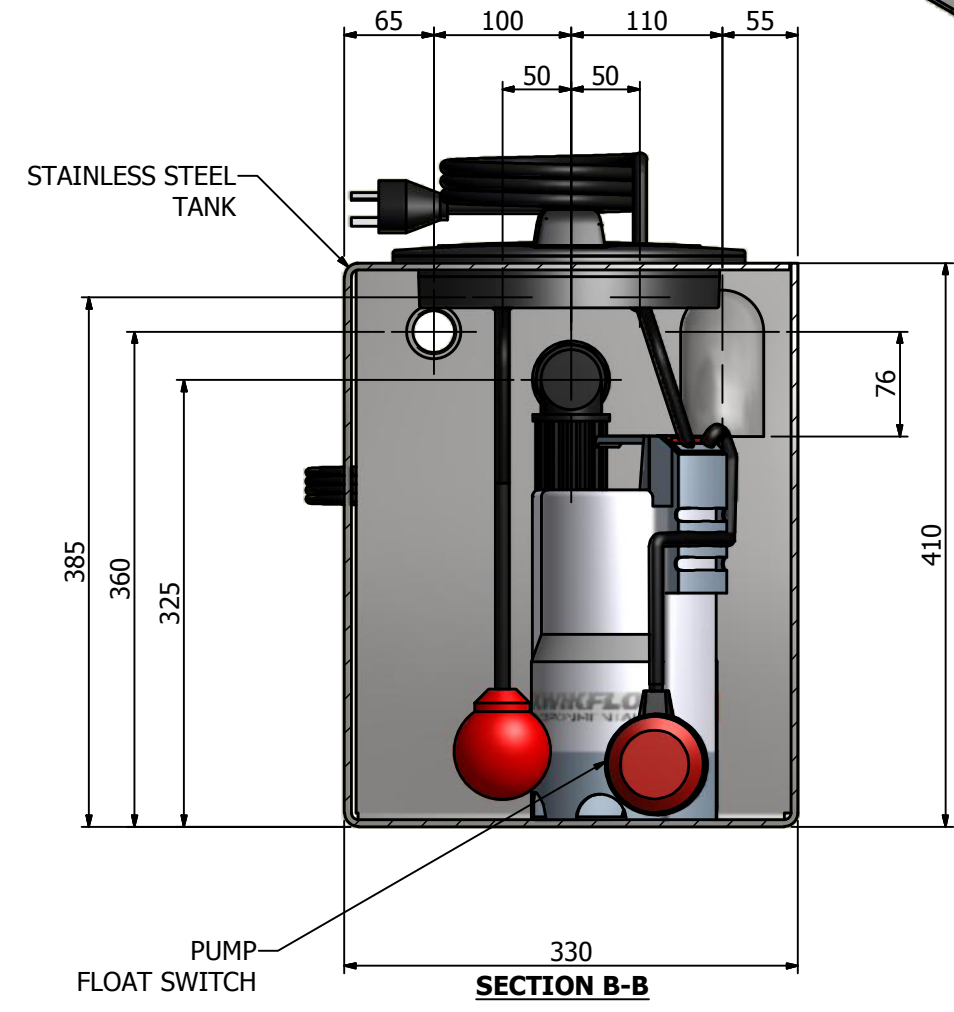
REVISION HISTORY				
REV	DESCRIPTION	DESIGNER	CREATION DATE	CHECKED BY
B	ISSUE FOR APPROVAL	A.PRAKASH	24/01/2017	
A	ISSUE FOR APPROVAL	J.BEGG	27/06/2016	



ISOMETRIC VIEW



SECTION A-A



SECTION B-B

APPROVED.....

NAME.....

SIGNED.....

DATE...../...../.....

ISSUE FOR APPROVAL
NOT FOR CONSTRUCTION

TOLERANCE: ALL DIMENSIONS 10mm UNLESS OTHERWISE STATED.

CLIENT:

DISTRIBUTOR

CONFIDENTIAL - The drawings must not be disclosed to any third parties without written permission from ALLPUMPS Sydney. Unauthorised disclosure may result in prosecution. © ALLPUMPS - This drawing is the property of ALLPUMPS ABN: 50 959 712 750 and is subject to return on demand. It is submitted for the use only in connection with the proposal and contracts of ALLPUMPS with the expressed conditions that it is not to be reproduced or copied in any form. This data must only be used in accordance with our standard terms and conditions. © Copyright ALLPUMPS accepts no responsibility for any loss or damage resulting from any person acting on this information. The details and dimensions contained in this document may change, please check with ALLPUMPS for confirmation of current specifications.

Drawn	Date
J.Begg	27/06/2016
Check	Date
Verified	Date
Approved	Date
Request No.	-

PACKAGED PUMP SOLUTIONS...ON TIME
100 Silverwater Road Silverwater NSW 2128
PH: 1300 225 786 | E: sales@allpumps.com.au

PROJECT : ALL PUMPS SALES & SERVICE 100 SILVERWATER ROAD, SILVERWATER NSW 2128			
TITLE KWIKFLO PACKAGED PUMP SOLUTIONS KUSS40 UNDERSINK UNIT - STAINLESS c/w SUBMERSIBLE PUMP & FITTINGS GENERAL ARRANGEMENT DRAWING			
SCALE	N.T.S	SIZE	A3
SHEET	1	REV	B
STOCK CODE : TBA		DWG No. KUSS40	