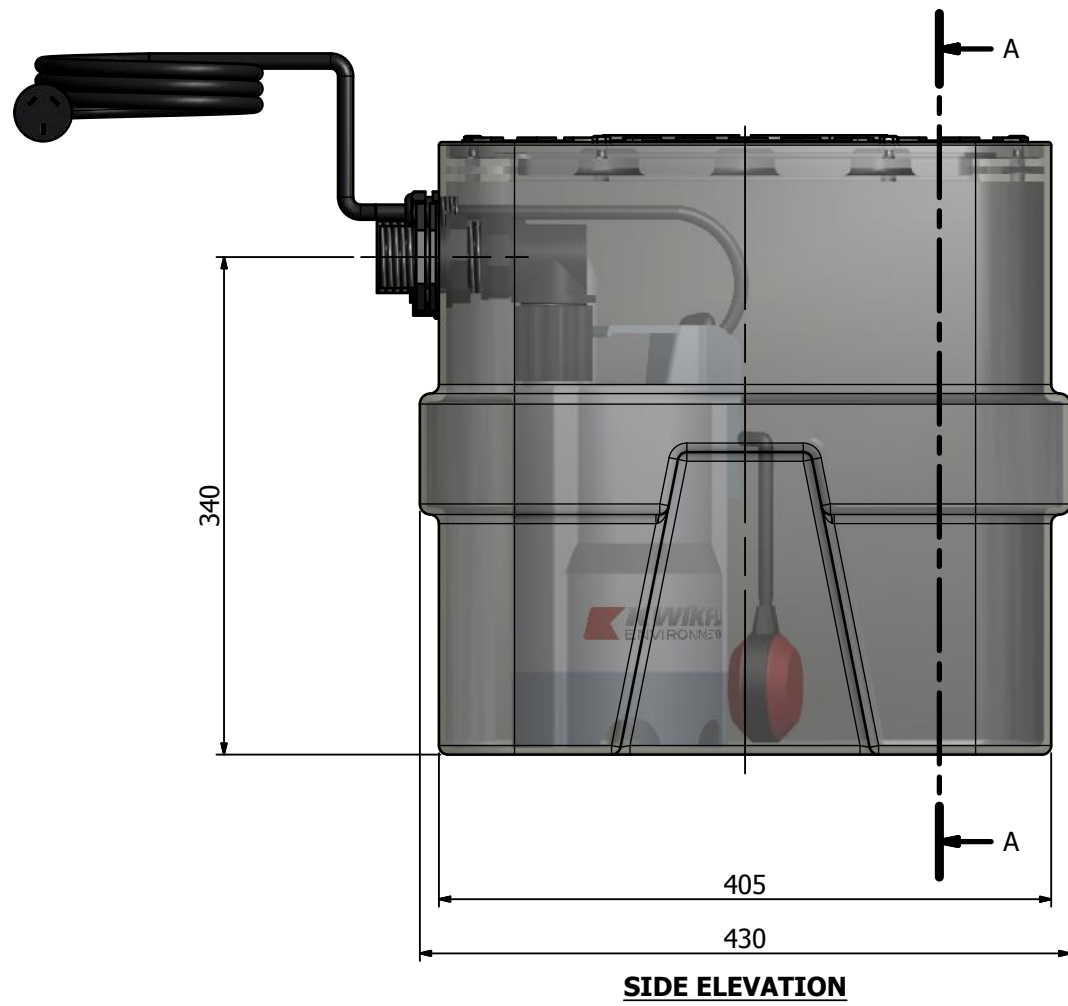


ISOMETRIC VIEW



NOTE: TANK SHOWN
TRANSPARENT FOR CLARITY

